



Norsat
International Inc.

Innovative Communication Solutions



LNB

C-BAND PLL

3000

HIGH STABILITY



TYPICAL SPECIFICATIONS

Noise temperature	20K to 30K depending on model number
L.O. stability (over temperature excl offset)	±2 kHz to ±25 kHz depending on model number
Phase noise (SSB)	-80 dBc/Hz at 1kHz -85 dBc/Hz at 10kHz -95 dBc/Hz at 100kHz
Input VSWR	2.2 : 1
Output VSWR	2.2 : 1

Conversion gain	62 dB
Output P1dB	9 dBm
Power requirements	+12 to +24 V supplied through center conductor of IF cable
Current drain	250 mA
Input Waveguide	CPR229G
Dimensions	144 (L) x 70 (W) x 98 (H) mm (5.7 x 2.8 x 3.9 in)
Weight	500 g / 17.6 oz
Temperature Range	-40°C to +60°C
Relative Humidity	0 - 100% condensing

FREQUENCY BANDS AVAILABLE

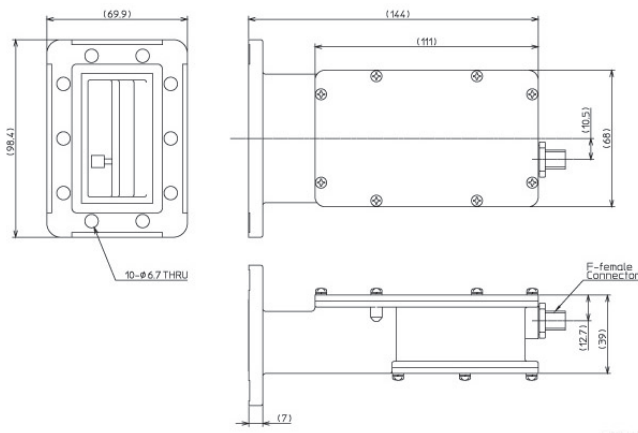
Input frequency (GHz)	3.40 to 4.20
L.O. frequency (GHz)	5.15
Output frequency (MHz)	950 to 1750

HOW TO ORDER

3120N

CONNECTOR	F - 75 Ohm N - 50 Ohm
NOISE TEMPERATURE	20 - 20 K 25 - 25 K 30 - 30 K
PART #	L.O. STABILITY
34XX	0.4 ppm - ±2 kHz
36XX	0.6 ppm - ±3 kHz
38XX	0.8 ppm - ±4 kHz
31XX	1.0 ppm - ±5 kHz
32XX	2.0 ppm - ±10 kHz
35XX	5.0 ppm - ±25 kHz
LNB SERIES #	

MECHANICAL DIAGRAM



Digisat International Inc.
4195 W. New Haven Ave., Suite 15
Melbourne, FL 32904
USA
+1-321-676-5250
Email: sales@digisat.org
http://www.digisat.org

BUY NOW

